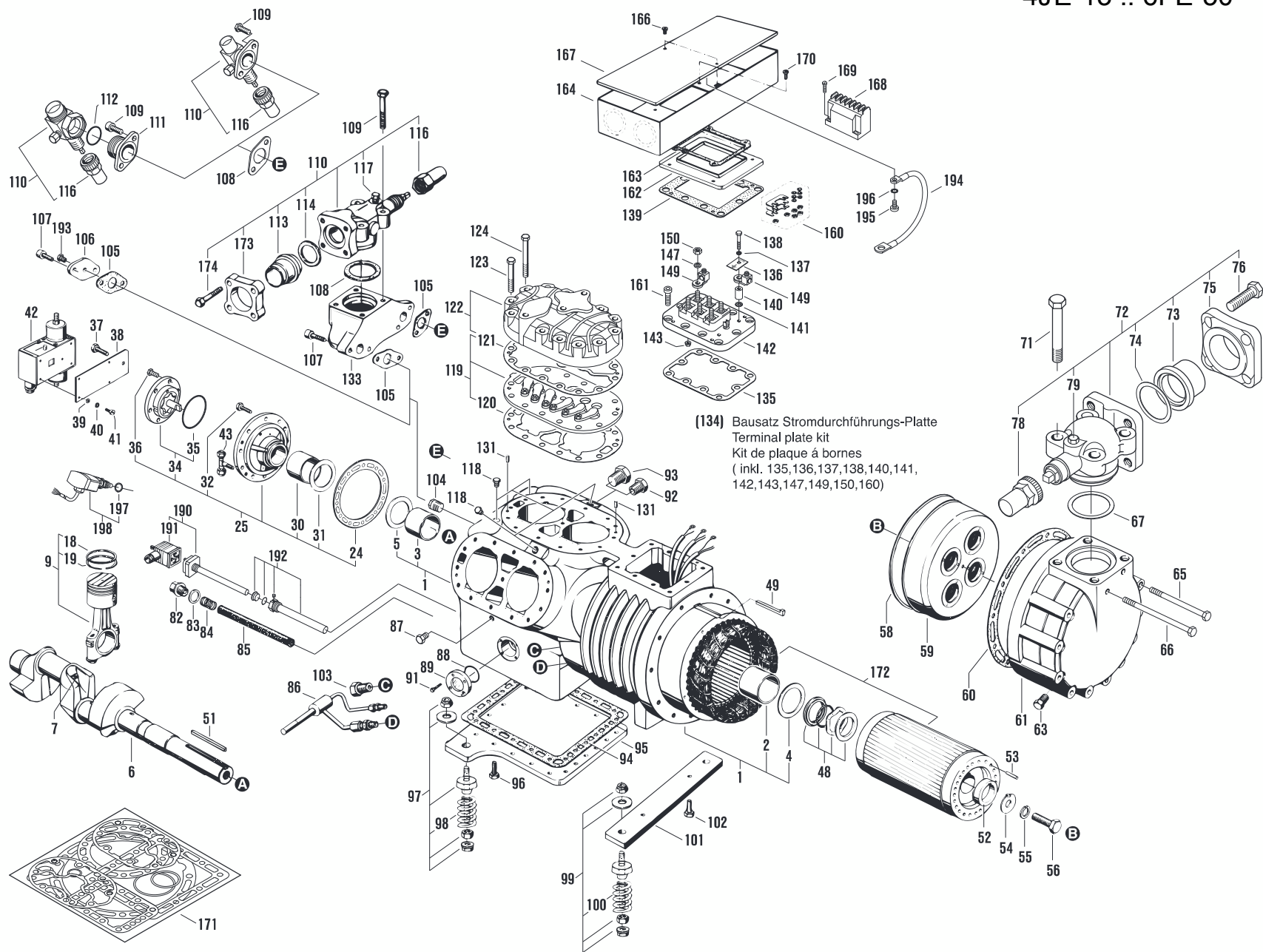


4JE-13 .. 6FE-50



(134) Bausatz Stromdurchführungs-Platte
 Terminal plate kit
 Kit de plaque à bornes
 (inkl. 135,136,137,138,140,141,
 142,143,147,149,150,160)